



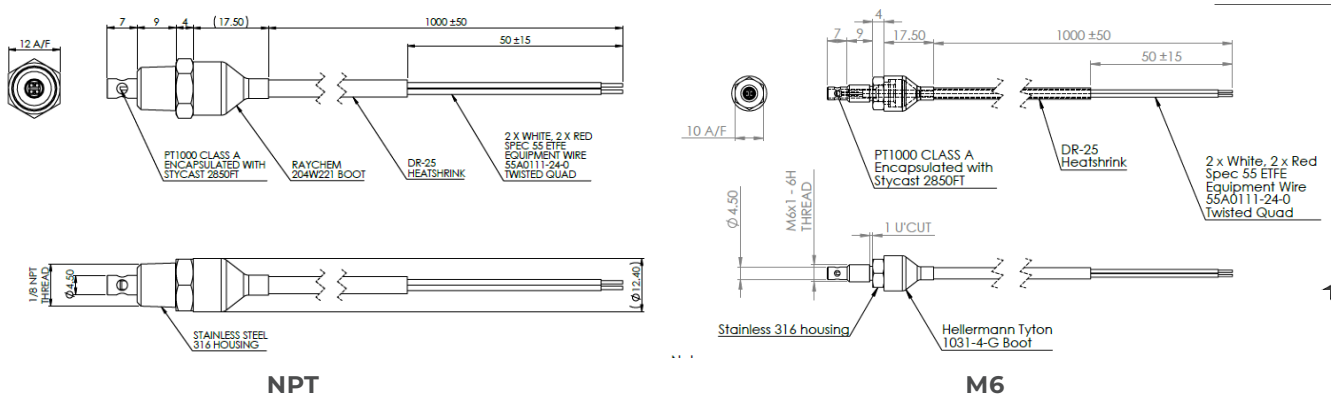
- ▶ **ETP-BC-M6-100-PT1000A**
- ▶ **ETP-BC-1/8NPT-100-PT1000A**
- ▶ **Ideal for measuring air flow**
- ▶ **Robust and compact design**
- ▶ **For harsh environments**
- ▶ **Wide environmental temperature range**

The ETP-BC-M6-100-PT1000A and the ETP-BC-1/8NPT-100-PT1000A have been specifically designed for demanding temperature measurement tasks as can be found in motor vehicles. The probes are designed to withstand shock and vibration due to a robust overall construction. The selected materials are oil and fuel

resistant for use in typical mobile applications whilst supporting a wide environmental temperature range. The probe design allows air/gas to pass the exposed PT1000A temperature sensing element directly and thus providing accurate and fast response time whilst mechanically protecting the sensing element.

Specifications	
Element:	PT1000A other elements on request
Accuracy:	± (0.15 K + 0,002 x t)
Working temperature:	-40° C to +150° C
Environmental temperature:	-40° C to +150° C
Recommende applied current (self heating must be considered)	0.3 mA at 1000 Ω
Housing:	316 stainless steel
Cable:	2x white, 2 x Red, twisted quad
Heat shrink:	sleeved DR-25

Dimensions in mm



Ordering information 94802-ETP-BC-M6-100-PT1000A
94845-ETP-BC-1/8NPT-100-PT1000A